



AK2000S

3-Axis Stabilized Handheld Gimbal for Camera

Instruction

EN V 1.2

Catalogue

1. Product Overview	2
2. Start to Use	4
2.1 Charging	4
2.2 Position Lock	4
2.3 Camera Installation	5
2.4 Gimbal Balancing	6
2.5 Power ON/OFF	8
3. Function operation	8
3.1 Mode/Function Introduction	8
3.2 Button Operation	10
3.3 USB Port	12
3.4 Touch Screen	13
3.5 Modes Setting	14
3.6 Motion-timelapse Mode	17
3.7 Initialization	19
3.8 Manual Lock	20
4. Feiyu ON App	21
4.1 Download the Feiyu ON App	21
4.2 App Connecting	21
4.3 Firmware Upgrade	22
5. Accessories	23
5.1 Tripod	23
5.2 Versatile Arm	23
5.3 Brushless Follow Focus	24
5.4 Hyperlink Remote Controller	24
5.5 Extension Rod	25
5.6 Multifunctional Bracket	26
5.7 Wireless MIC Kit	26
6. Specifications	29
Compatible Cameras for Reference	30
Disclaimer	32

Introduction

AK2000S is a professional 3-axis stabilized handheld gimbal for DSLR and mirrorless camera. It is compatible with popular DSLR and mirrorless cameras on the market. Its detachable versatile arm handle, makes it available to be supporting by single hand and low angle shooting, and is allowed to mounted on tripod and other adaptor.

AK2000S is designed with function button and LCD touch screen, which can switch the gimbal working mode, control the rotation and the parameters setting by one hand. The camera shutter cable is equipped for controlling the photography, video recording and focus following directly at handle.

Suggestion

Feiyu AK2000S includes below information, please read the information before using the gimbal:

1. Quick start guide
2. Online instruction
3. Tutorial

The tutorial videos can be watched at FeiyuTech official website or scan the QR code.



<https://www.feiyu-tech.com/play/>

Feiyu ON App

Scan the QR code to download the app, or search for **Feiyu ON** in the App Store or Google Play.

* Requires iOS 9.0 or above, Android 6.0 or above.







iOS Version

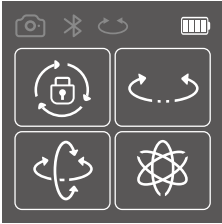






Android Version

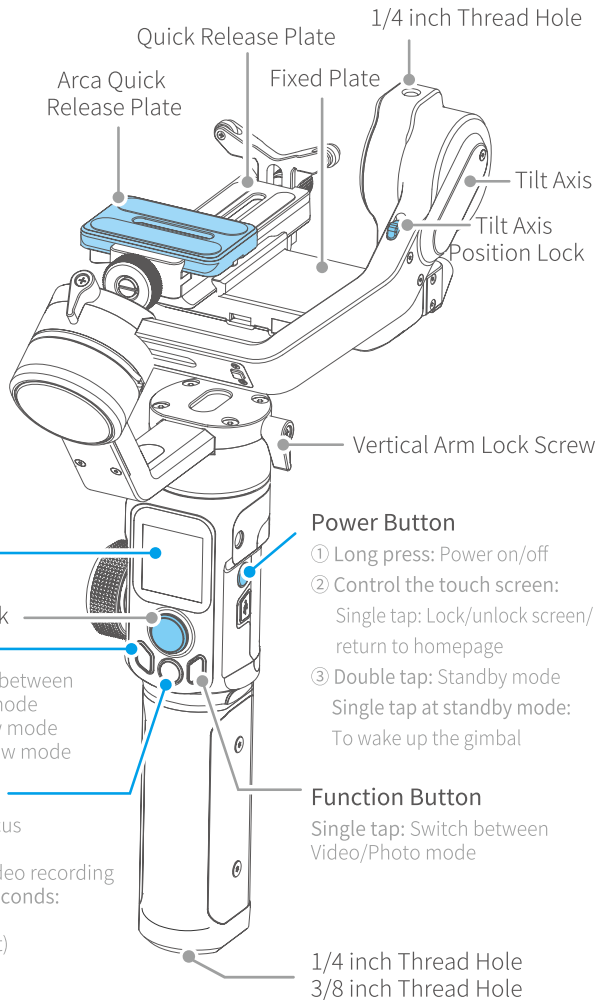
1. Product Overview

Touch Screen

-  Camera Connection
-  Bluetooth
-  Multifunction Knob Control
-  Battery Level



-  All Lock Mode
-  Pan Mode
-  Follow Mode
-  All Follow Mode



Joystick

- Mode Button**
- Single tap: Switch between pan mode & lock mode
- Double tap: Follow mode
- Triple tap: All Follow mode

Shutter Button

- Press Halfway: Focus
- Single tap: Photo shooting/video recording
- Long press for 5 seconds: Auto-burst shot (Press again to quit)

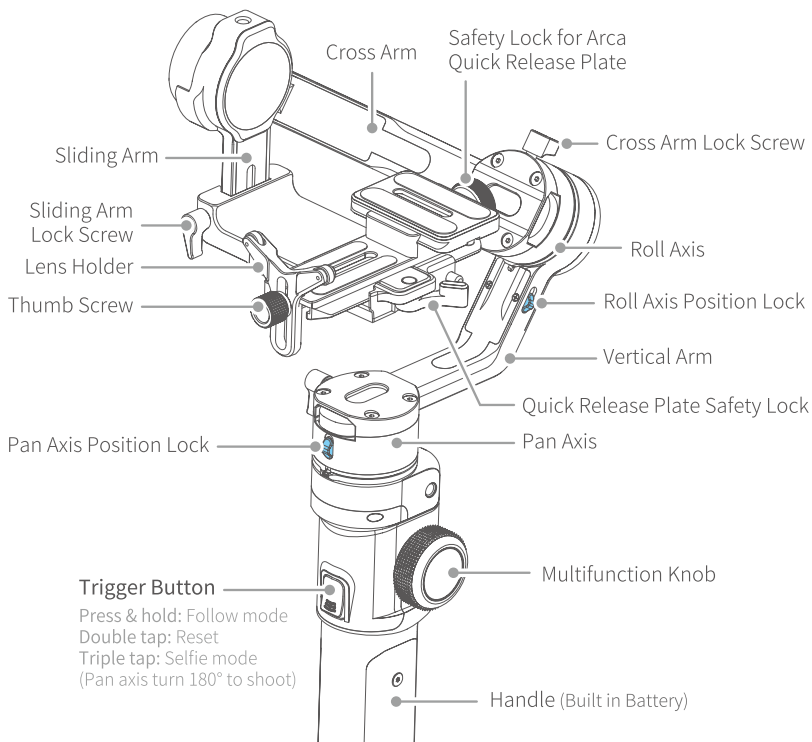
Power Button

- ① Long press: Power on/off
- ② Control the touch screen:
 - Single tap: Lock/unlock screen/return to homepage
- ③ Double tap: Standby mode
 - Single tap at standby mode: To wake up the gimbal

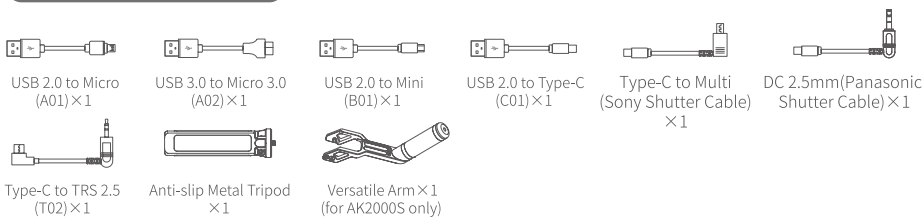
Function Button

- Single tap: Switch between Video/Photo mode

* This product does not include the camera.



Standard kit accessories



Advanced kit accessories

Advanced kit includes all the accessories which standard kit has, and added the accessories as below:



Brushless Follow Focus (AKF2) × 1

Optional accessories




2. Start to Use

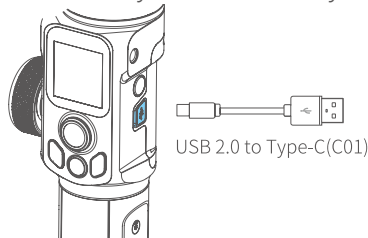
TIPS

- 1) Please mount the camera and balance it before Power ON.
- 2) When the battery is low, please charge the gimbal.
- 3) When not in use for a long time, power off the gimbal.

2.1 Charging

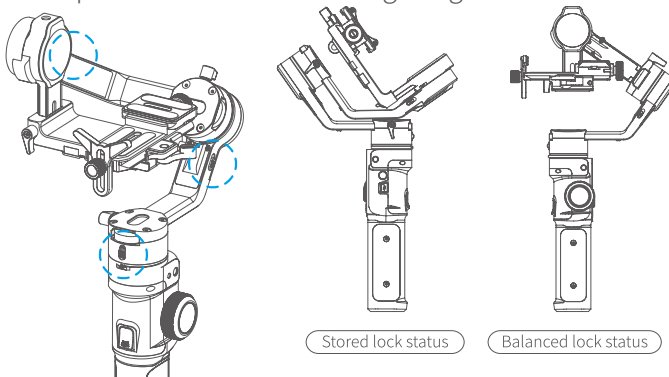
 Please fully charge the battery before power on the gimbal for the first time.

Open the USB rubber cover. Connect the USB 2.0 to Type-C (C01) cable to charge. Quick charge is available. It takes only 1.5 hour to fully charge.



2.2 Position Lock

Each rotating axis has a position lock for convenient balancing and storage. Be sure to unlock the position locks before using the gimbal.

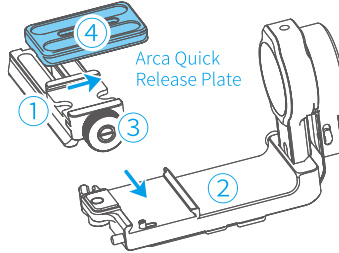


2.3 Camera Installation

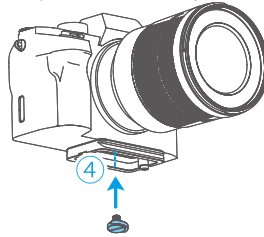


Make sure the battery and memory card are installed before camera installation.

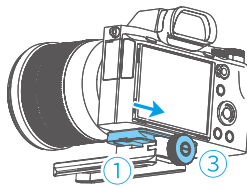
Step 1: Mount quick release plate ① on fixed plate ②, lock it. Loosen the ARCA quick release plate safety lock ③, take out ARCA quick release plate ④.



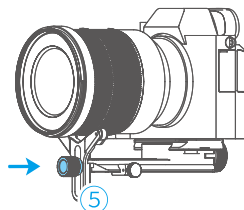
Step 2: Mount camera on ARCA quick release plate ④.



Step 3: Insert ARCA quick release plate directly into quick release plate ①, tighten the safety lock ③ for ARCA quick release plate.



Step 4: Install lens holder ⑤ to support lens, and tighten the thumb screw.



2.4 Gimbal Balancing

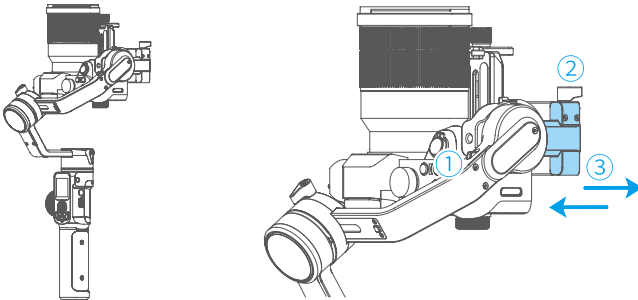
For ideal shooting effects, balancing the gimbal is necessary, and accurate balance will offer longer battery life.

TIPS

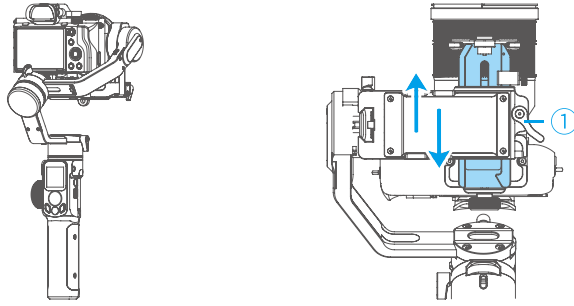
- 1) Before balancing the gimbal, please lock the gimbal at the balanced lock status, and the lens cover should be removed from the camera and the memory card needs to be inserted to the camera to complete all the connections to ensure that the camera is ready for shooting.
- 2) During balancing the gimbal, make sure the camera and gimbal are all powered off.
- 3) If it is needed to add accessories after the balance is completed, gimbal needs to be re-balanced again.

2.4.1 Balance Tilt Axis

- (1) a. Unlock the tilt axis position lock ①, turn the camera lens upwards, and check the gravity center of camera.
- b. Loosen the sliding arm lock screw ②, slide the sliding arm ③ to balance the camera.
- c. Tighten the sliding arm lock screw ②, when the camera lens keeps upwards that means balanced.

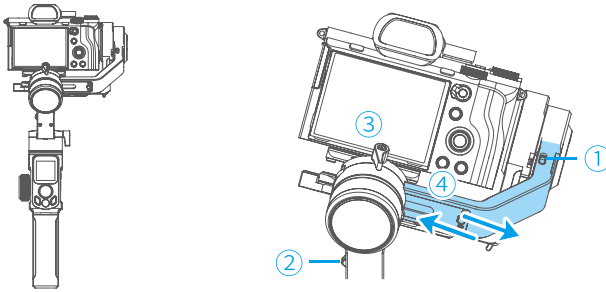


- (2) a. Place the camera lens forwards, check the gravity center of camera.
- b. Unlock the quick release plate safety lock ①, adjust camera position until it can stay stable at any angles.
- c. Lock the safety lock ①. Tilt the camera up or down, if it stays stable, it means balanced.



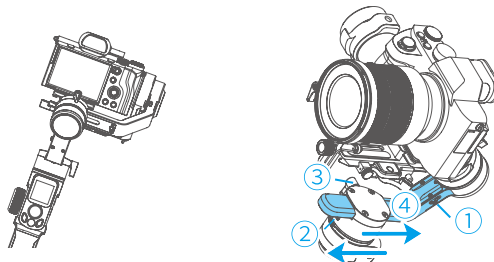
2.4.2 Balance Roll Axis

- Tighten the tilt axis position lock ①, unlock the roll axis position lock ②, check gravity center of camera.
- Loosen the cross arm lock screw ③, slide cross arm ④ to balance the camera position.
- Tighten the cross arm lock screw ③, and tilt the camera to the left or right, if it stays stable, it means balanced.



2.4.3 Balance Pan Axis

- Tighten the roll axis position lock ① after balanced tilt axis and roll axis. Unlock pan axis position lock ②, loosen vertical arm lock screw ③.
- Hold the handle aslant to 15°~ 20°, check the camera's movement. (Roll axis will point down if not balanced)
- Slide vertical arm ④ to balance it until the camera stays there at any angles, balance succeeded.
- Tighten the vertical arm lock screw ③.

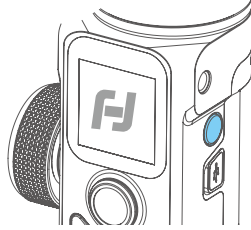


2.5 Power ON/OFF



Be sure to unlock the position lock before using the gimbal.

Long press power button, release the button until it shows **FJ** on display.



3. Function operation

3.1 Mode/Function Introduction

① Pan Mode (Default mode)

The roll and tilt direction are fixed, and the camera moves according to the left-right movements of the user's hand.

② Follow Mode

The roll direction is fixed, and the camera moves according to the left-right or up-down movements of the user's hand.

③ All follow Mode

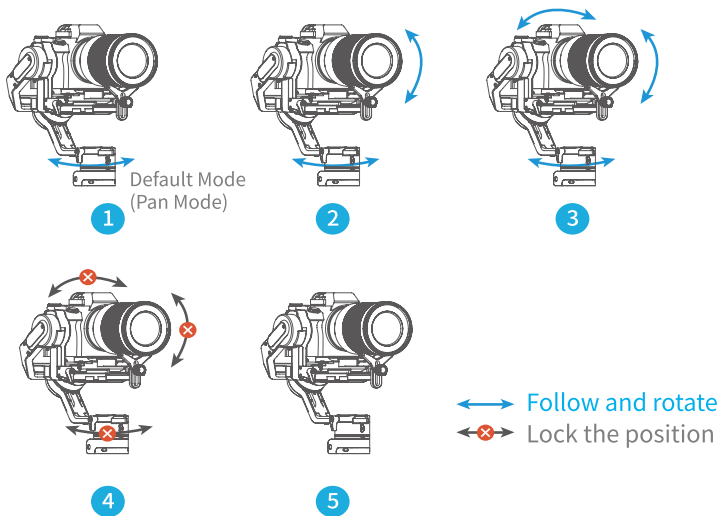
The camera moves according to the user's hand.

④ Lock Mode

The orientation of the camera is fixed.

⑤ Reset

Return to Pan Mode, 3-axis return to initial position.



⑥ Manual Lock

Slide the tilt axis to a desired position, and hold on for 0.5 second. Set the camera position accurately and conveniently.

⑦ Auto-rotation mode

Auto-rotation mode helps user setup and automatically take time-lapse photography. It can set rotation route and time.

⑧ Inception Mode

Single tap **Inception** menu on screen, setting rotate speed and direction on the screen directly.

⑨ Selfie Mode

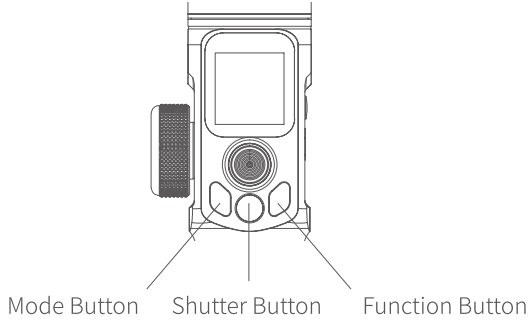
The camera turns 180° horizontally, selfie shooting is available.

⑩ Portrait Mode

Single tap **Portrait** menu on screen to enter portrait mode for livestream/Tiktok.

To get more videography skills with gimbal and it's tutorial, please kindly visit our official or download Feiyu ON App.
<http://www.feiyu-tech.com>

3.2 Button Operation



3.2.1 Mode operation

Button	Function	Description
Mode Button	Single tap	Pan/Lock mode (default mode)
	Double tap	Pan mode
	Triple tap	All follow mode

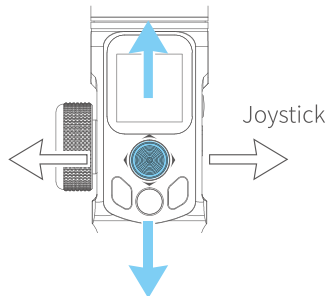
3.2.2 Shutter button

Button	Function	Description
Shutter Button (2stages-way press: half-way press & full-way press)	1. Focus	Single tap (half-way press)
	2. Photography	Full-way press after focusing.
	3. Video recording	Single tap (fully tap) start/stop
	4. Continuous shooting	Long press for 5 seconds, (fully press) ,after beep sound. Tap again to exit, default shoot 1 time every 5 seconds.

3.2.3 Function button operation

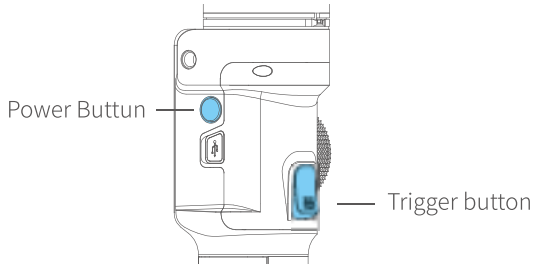
Button	Function	Description
Function Button	Photography/video recording	Single tap

3.2.4 Joystick



Button	Function	Description
Joystick	1. Camera lens move to upward, select the option above on display	Move to upward
	2. Camera lens move to downward, select the option below on display	Move to downward
	3. Camera lens move to left, select the option on the left on display	Move to left
	4. Camera lens move to right, select the option on the right on display	Move to right

3.2.5 Power button

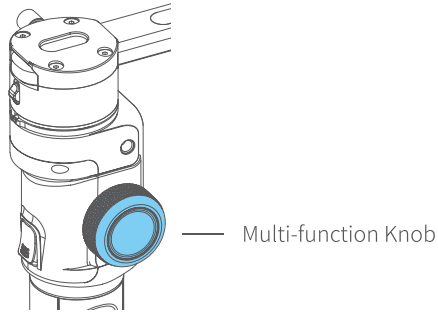


Button	Function	Description
Power Button	1. Power ON/OFF	Long press
	2. Lock/ unlock screen/ go back to home page	(Set up the display) Single tap
	3. Standby mode	Double tap
	4. Awaken the gimbal	Single tap at standby mode

3.2.6 Trigger button

Button	Function	Description
Trigger Button	1. Follow mode	Press & hold
	2. Reset	Double tap
	3. Selfie shooting (Pan axis rotate 180° to shoot)	Triple tap

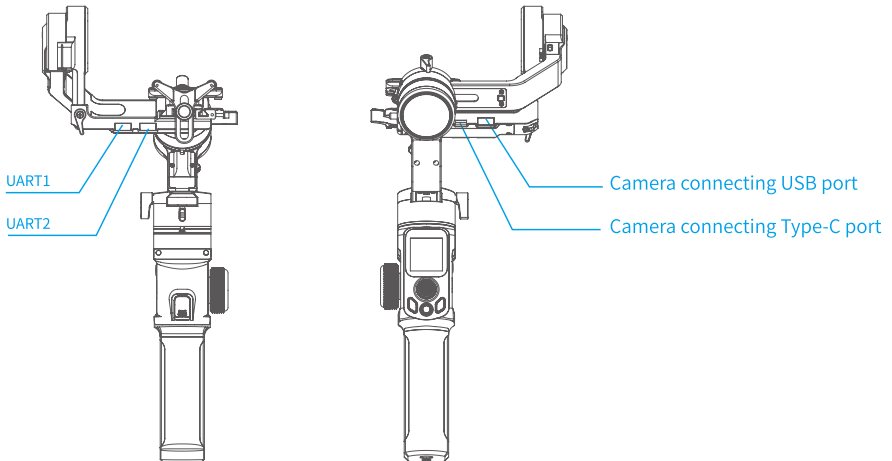
3.2.7 Multi-function knob



Button	Function	Description
Multi-function Knob	1. Control the current axis rotate direction	Rotate knob (default pan rotation mode)
	2. Switch between follow Focus/Zoom	Long press to switch
	3. Switch axis rotate among Tilt/Roll/Pan Axis	Single tap to switch (under the control of the axis direction mode)
	4. Switch between Follow Focus/Zoom	Single tap to switch (under the control of the follow focus or zoom mode)

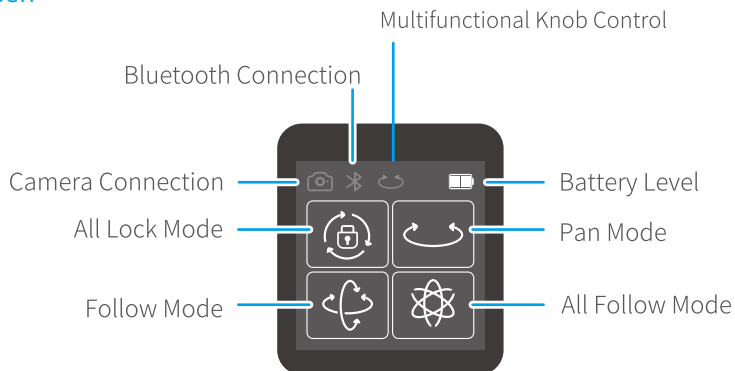
3.3 USB Port

There are USB2.0 and Type C port at the fixed plate, which enable to connect to camera/follow focus and other devices.



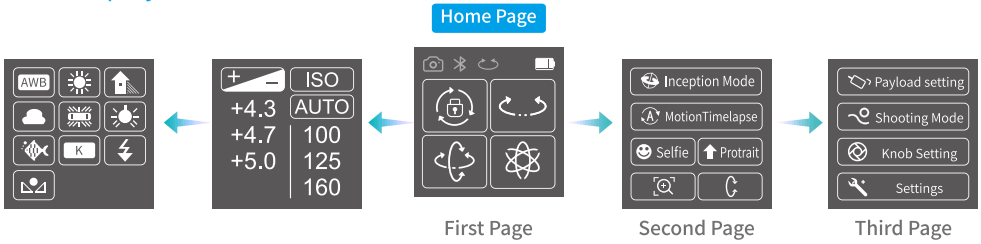
3.4 Touch Screen

3.4.1 Screen



Icon	Mode	Icon	Mode
	Camera Connected/Photography		All Lock Mode
	Camera Unconnected		Pan Mode
	Video Recording Mode		Follow Mode
	Bluetooth Connected		All Follow Mode
	Bluetooth Unconnected		Tilt Axis Enabled
	Multi-function Knob Dnabled		Roll Axis Enabled
	Multi-function Knob Disabled		Pan Axis Enabled
	Zoom Status		Battery Level
	Follow Focus Status		

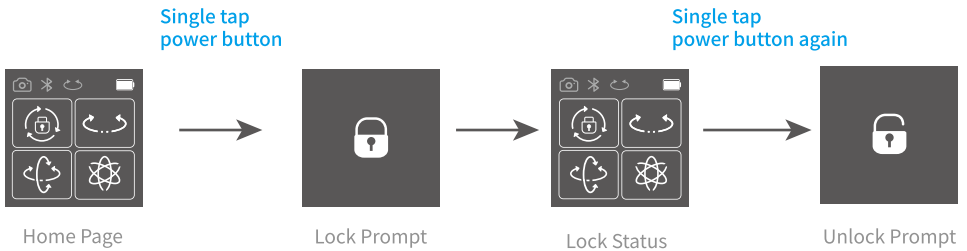
3.4.2 Display screen switch



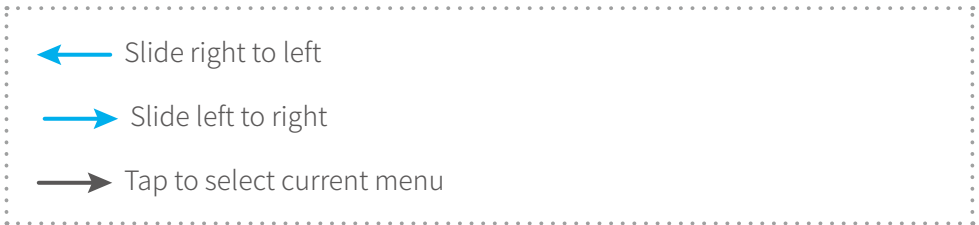
3.4.3 Usage of touch screen

Slide right to left: Flip to the right sub page.
Slide left to right: Flip to the left sub page/return to previous option.
Tap: Select current option.

3.4.4 Lock/unlock screen

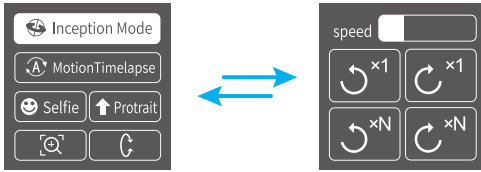


3.5 Modes Setting



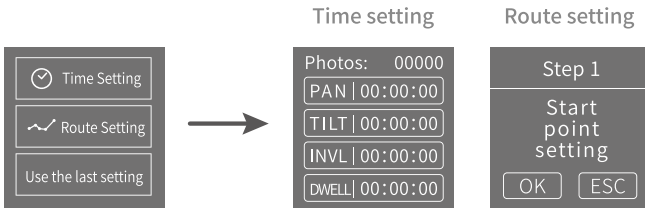
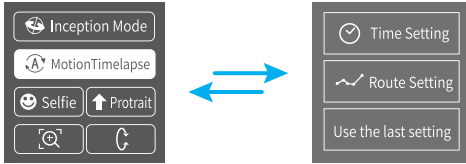
3.5.1 Inception Mode setting

Single tap **Inception Mode** on screen, the camera lens will rotate to upward. Holding the gimbal horizontally, and set rotation direction/speed/one circle or continuous circle. The camera will automatically rotate 360 degree to take inception footage with pre-set speed and direction after setup.



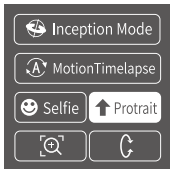
3.5.2 Motion-timelapse mode setting

Please refer to the [Motion Timelapse Mode](#) chapter.



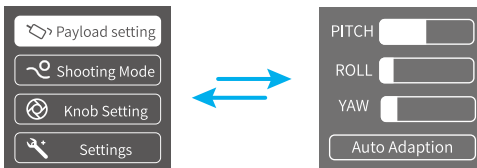
3.5.3 Protrait setting

Holding the gimbal horizontally, tap [Portrait](#) on screen to enter protrait shooting.

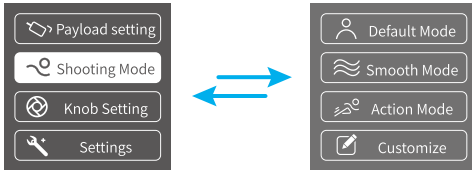


3.5.4 Other setting

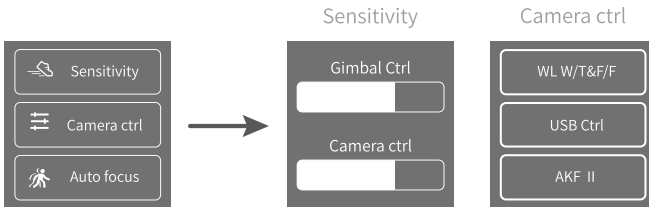
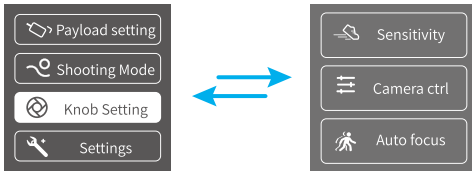
Set motor power according to camera weight.



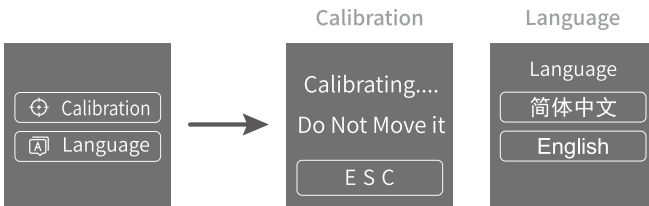
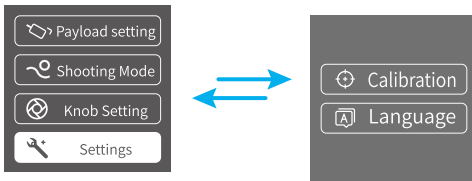
Set scene modes according to camera function.



Higher sensitivity gives faster reaction of gimbal/camera.

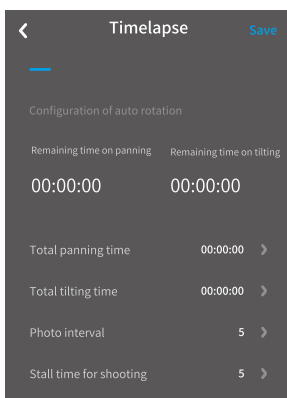


System setting



3.6 Motion-timelapse Mode


3.6.1 Motion-timelapse setting



Method 1:

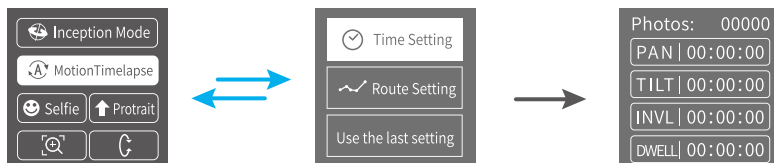
Set the Motion-timelapse mode parameters on Feiyu ON App.

Enter the parameter setting interface to select the Motion-timelapse mode for setting. The maximum interval time is 59 seconds, while maximum staying time for long exposure photography is 58 seconds.

 **Note:** The photographing interval setting must be longer than the stop time and less than the panning or the tilting rotation time.

Method 2:

Set the Motion-timelapse mode parameters by entering the Motion Timelapse interface on screen. Operate with joystick to set up time setting parameter on touch screen.



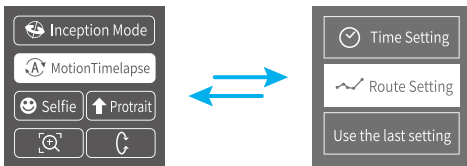
Display icon	Mode/Status	Minimum time setting	Maximum time setting
PAN (T1)	Pan axis rotation period	00:00:00	07:59:59
TILT (T2)	Tilt axis rotation period	00:00:00	07:59:59
INVL (t)	Photographic interval	00:00:00	00:00:59
DWELL (P)	Photography waiting time	00:00:00	00:00:58

PAN: Time required for the pan axis to rotate from the start point to the end point.
TILT: Time required for the tilt axis to rotate from the start point to the end point.
INVL: The time between the end of the previous shooting and the end of the next shooting.
DWELL: Gimbal staying time after sending a photographing command for long exposure.

* $T1/T2 > t > P$

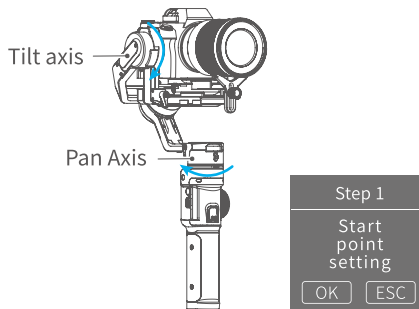
3.6.2 Route setting

(1) Enter Route setting interface under Motion timelapse menu.



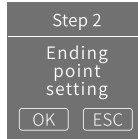
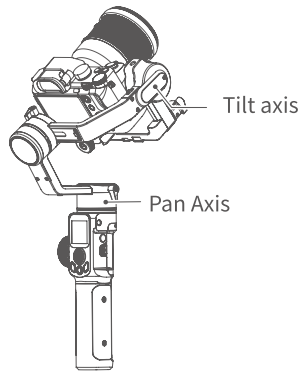
(2) Set the start position

Rotate the pan or tilt axis to a desired position, hold on for 0.5 seconds. Tap OK on screen to record a start position.

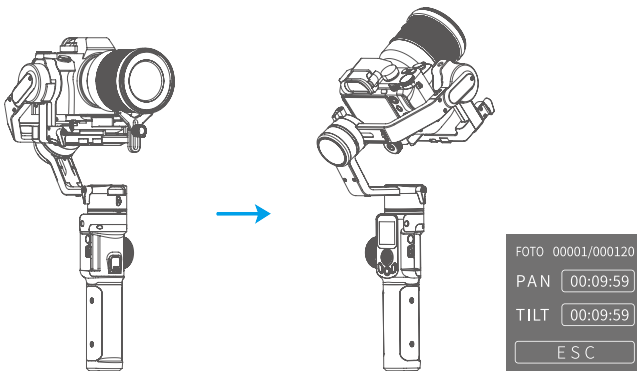


(3) Set the end position

Rotate the pan or tilt axis to a desired position, hold on for 0.5 seconds. Tap OK on screen to record an end position.



(4) Gimbal rotate automatically from the start position to the end position gimbal return the start initial position after setting, and then tilt and pan axis will start to rotate according to the parameter that has been set.



Exit → Double tap trigger button or the ESC icon on screen to exit → Exit motion timelapse mode and reset.

To get more videography skills with gimbal and it's tutorial, please kindly visit our official or download Feiyu ON App.
<http://www.feiyu-tech.com>

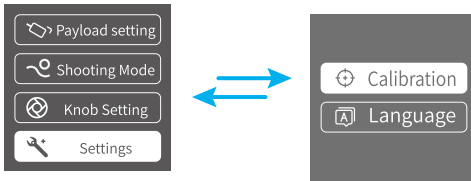
3.7 Initialization

- Initialization the gimbal when:
- (1) The camera is not in balance.
 - (2) Not use for a long period of time.

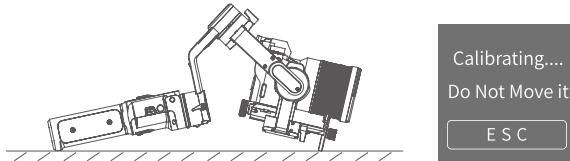
(3) The surrounding temperature changes abruptly.

Steps:

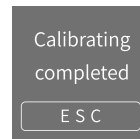
(1) Select **Settings - Calibration** on the display to enter the gimbal initialization.



(2) Place the gimbal on the table, and the gimbal automatically initializes. If the touch screen prompts that the calibration is successful, the initialization ends, otherwise the initialization fails.

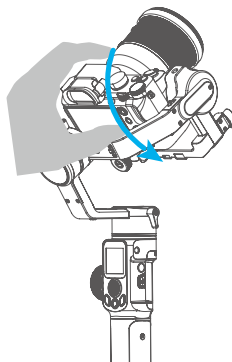


(3) After the initialization is successful, slide the touch screen interface to the left/right or click the **ESC** on the screen to wake up.



3.8 Manual Lock

Manually move camera to desired position, and hold for half a second. New tilt and/or pan positions are automatically saved.



4. Feiyu ON App

4.1 Download the Feiyu ON App

Scan the QR code to download the app, or search for **Feiyu ON** in the App Store or Google Play.



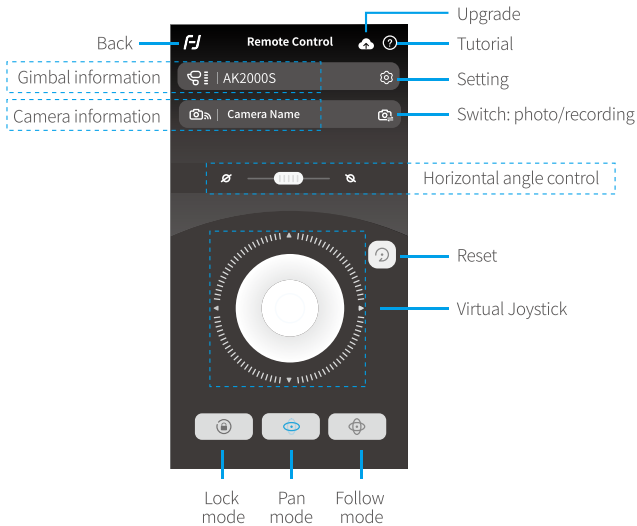
iOS Version



Android Version

* Requires iOS 9.0 or above, Android 6.0 or above.

4.2 App Connecting




Steps:

- (1) Power on the gimbal.
- (2) Select Wi-Fi connection menu on camera (find in **setting-network-Wi-Fi**), keep this page which has Wi-Fi name and its password on.
- (3) Login Feiyu ON App (or register).
- (4) The App will search around the enable devices. It will show **connect successful** the connection is done, if not, please exit and reconnect again.
- (5) Tap **connect to camera** on the App, select the right camera model in the list.
- (6) Select Wi-Fi name which get on step (2) in the camera model list on App, input the password. Most of the function can be achieved on App, such orient control/mode switch/parameter setting etc. If the connection failed, please confirm if the password is correct or exit and try to login Feiyu ON App again.

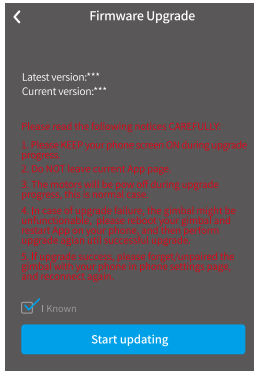
4.3 Firmware Upgrade

Upgrade firmware via App.

(1) Tap upgrade ICON  on App. (2) Select upgrade type. (3) Follow the prompts to upgrade the firmware.



Feiyu ON



Upgrade type introductions

Keyboard update	Repair/update or newly add button/touch screen/interaction functions, update more compatibility cameras which can be controlled through Wi-Fi.
Bluetooth firmware update	Repair/update or newly add Bluetooth functions, update more compatibility cameras, and etc.
Gimbal firmware update	Repair/update or newly add gimbal control/function/parameter and etc.
LED icons update	Repair or update the icons in the screen. (Support for AK series gimbal only)
USB Hub update	Repair/update or newly add control cameras/follow focus through USB cable, repair the bugs about camera control, and etc. (Support for AK4500/AK2000S only)

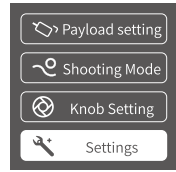


Noted: Gimbal has an update protection function. When the update fails, restart the gimbal, it will return to the previous firmware. Connect the app and update again to resolve the problem. In addition, parts of the new functions require updating two or more firmware to take effect. It is recommended to update regularly to keep the firmware of the gimbal as the latest version.

⚠ Please make sure disconnect Wi-Fi between camera and gimbal if Wi-Fi connection is for controlling camera.

How to disconnect Wi-Fi connection of camera?

When gimbal is on, slide touch screen to the left to find the settings. Press and hold trigger button, push up joystick, then click “Settings” to disconnect Wi-Fi connection.

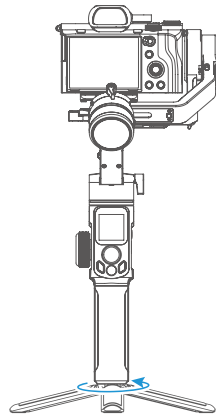


5. Accessories

⚠ Noted: this chapter introduce the Optional accessories only, please refer to the manual instruction for more information of the specific accessory.

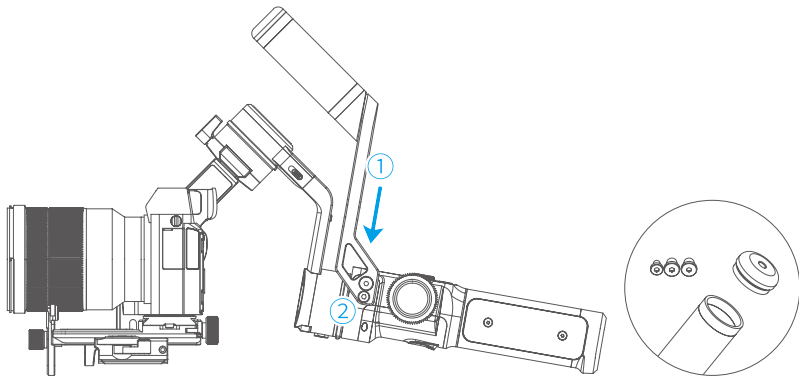
5.1 Tripod

AK2000S is equipped with 1/4 inch thread hole and 3/8 inch thread hole to mount all type of Tripod for standing shooting.



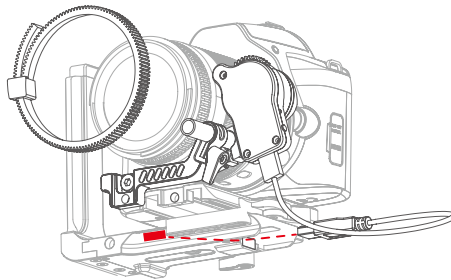
5.2 Versatile Arm

Installation: Install the versatile arm on the handle, align screw holes and tighten the screws by L shape wrench.(it is attached on versatile arm, the end cover of the versatile arm can be removed, and keeps 3 screws inside.)



5.3 Brushless Follow Focus

Fix the lens gear on the camera's focus ring position. Fasten the fixed bracket to the quick release plate of the gimbal with a hexagonal screw, and insert the aluminum tube. Insert the AKF II into the aluminum tube, lock the fixed thumb screw on the AKF II, move the aluminum tube to adjust the front and rear position so as to make the AKF II gear and the lens gear engage, and lock the fixed thumb screw on the fixed bracket. Insert the USB cable into the USB port on the fixed plate, installation is completed.

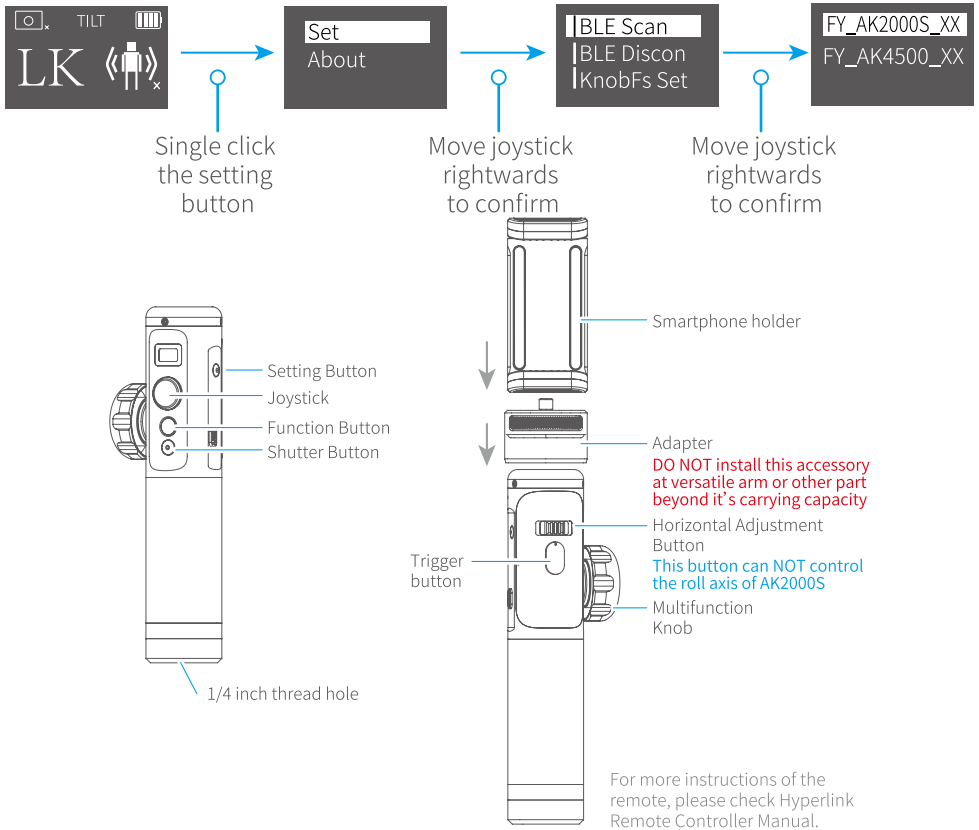


5.4 Hyperlink Remote Controller

Steps to connect to gimbal:

- (1) Powering on AK2000S and remote controller.
- (2) Tap setting menu on remote controller screen, select bluetooth connection and connect it.
- (3) After successful connection, the function of AK2000S enable to operate on remote controller, and the tilt/pan movement can follow the movement of the Hyperlink remote controller.

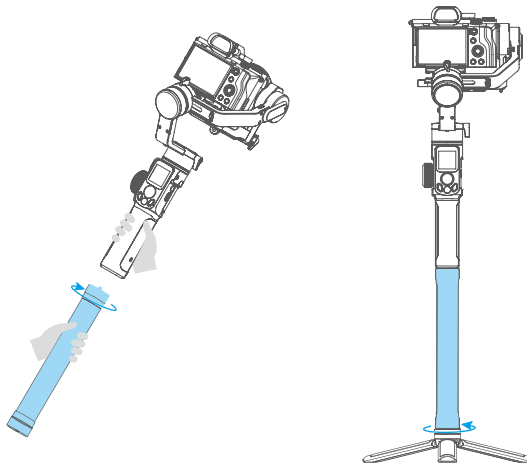
Please operate on hyperlink remote controller.



Notice: The function of horizontal adjustment button is disable for AK2000S.

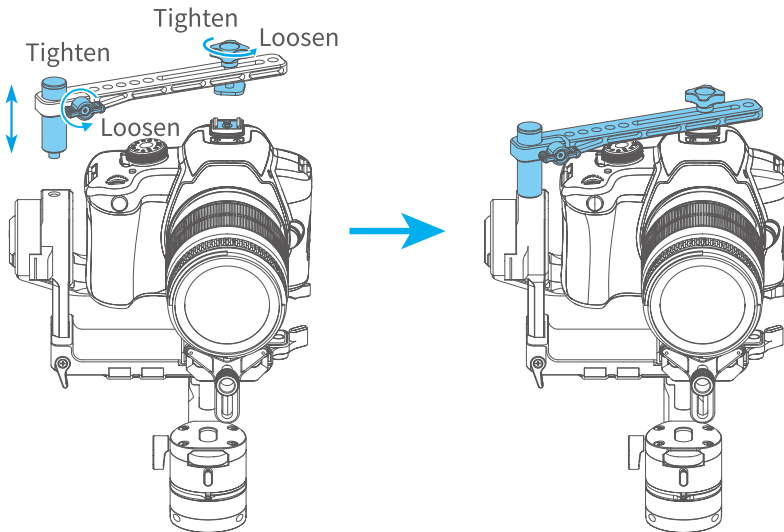
5.5 Extension Rod

It can be used as a mini crane, or take the footage of emulating flying at a low altitude.



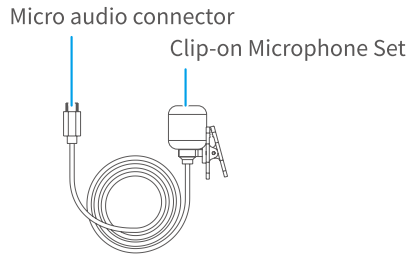
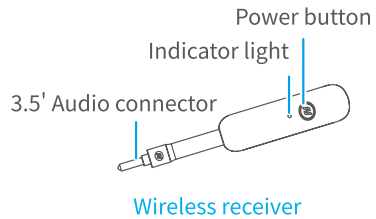
5.6 Multifunctional Bracket

To extra stabilize the camera by mounting it on top of camera and tilt axis. The bracket can be used an extension plate for mounting other accessories on it.



5.7 Wireless MIC Kit

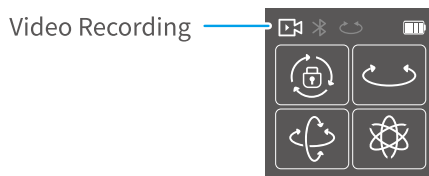
The receiver transmitter can collect the sound from the transmitter within 20m range.



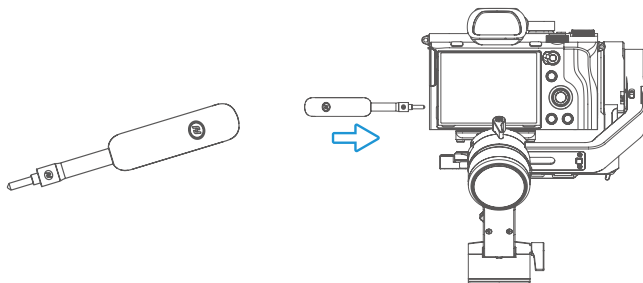
5.7.1 How to use

(1) Two way to enter video recording mode:

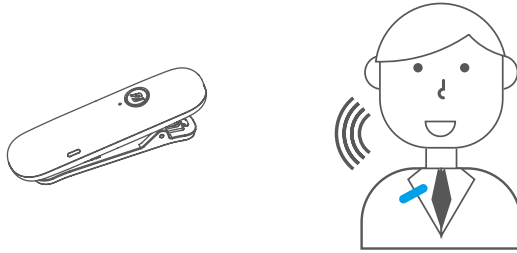
- ① Manually set video mode on camera.
- ② Single tap function button to switch to video recording mode on gimbal, after it connected to camera via USB cable.



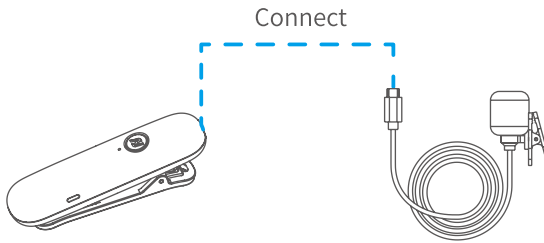
(2) Plug in the wireless microphone (receiver terminal) to camera MIC jack. Turn it on.



(3) Turn on the wireless microphone (transmitter terminal), it is available to use. (To get a better effectiveness, please wear it as close to the sound source as possible.)



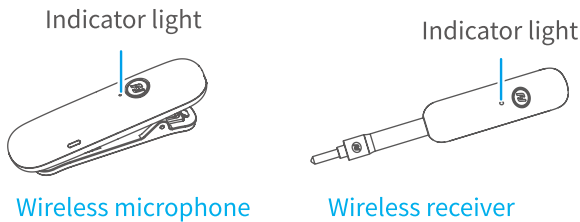
(4) Plug the wireless clip-on microphone in the wireless microphone (transmitter terminal) mount.



5.7.2 Wireless microphone kit is available to use individually.

5.7.3 The indicator description of wireless microphone kit

* Workable for both receiver and transmitter terminal.



Status	Indicator	ICON
Power ON	Blue light stays on to flashes regularly	
Power OFF	Red light stays on to off	
Low battery	Red light flashes regularly	
Fully charged	Green light stays on	
Connected	Blue light flashes regularly	

6. Specifications

Product Size (well balanced)	158.7×203.6×372.8mm
Max. Tilting Range	230°
Max. Rolling Range	360°
Max. Panning Range	360°
Tilt Follow Speed	2°/s ~ 75°/s
Pan Follow Speed	3°/s ~ 150°/s
Payload Capability	2200g/4.85 lb (well balanced)
Weight	About 1100g/2.4 lb (not included the shutter release cable, camera, lens and so forth)
Battery	2200mAh (built-in)
Theoretical Battery Life	14h (well balanced)
Charging Time	≥1.5h, support all the normal charger and quick charger which charging power ≤18W (for example: 9V×2A=18W, 12V×1.5A=18W)
Compatible Cameras*	Canon, SONY, Panasonic and etc.

* Please download the detailed manual for the specific compatible camera and lens.

Compatible Cameras for Reference

AK2000S Lens Compatible List							
Brand		Can be equipped with a lens					
Brand	Camera(H/W/D)	Model	Lens size & weight (Φ×L)	Camera	Brushless follow focus + Camera	Remark	
Sony	Sony A7R3 126.9×95.6×62.7mm 572g	E 10–18mm F4 OSS	Φ70mm×63.5mm 225g	√	√		
		FE 12-24mm F4 G	Φ87mm×117mm 565g	√	√		
		FE 16-35mm F2.8 GM	Φ89mm×122mm 680g	√	√		
		FE16-35mm f/4 ZA OSS	Φ78mm×99mm 518g	√	×		
		Vario-Tessar FE 24-70mm F4 ZA OSS	Φ73mm×94.5mm 426g	√	√		
		FE 24-70 F2.8 GM	Φ87.6mm×136mm 886g	×	×		
		Sony A7M3 126.9×95.6×73.7mm 565g	Zeiss E 16-70 F4 OSS	Φ66.6mm×75mm 308g	√	√	
			E PZ 18–105mm F4 G OSS	Φ78mm×110mm 427g	√	√	
			E PZ 18–200mm F3.5–6.3 OSS LE	Φ93.2mm×99mm 649g	×	×	
		Sony A9 126.9×95.6×63mm 588g	FE 28mm F2	Φ64mm×60mm 200g	√	√	
			Zeiss FE 35mm F2.8 ZA	Φ61.5mm×36.5mm 120g	√	√	
		Sony A7R2 126.9×95.7×60.3mm 582g	Sigma 30mm f/1.4 DC DN	Φ64.8mm×73.3mm 265g	√	√	
			Sigma 35mm f1.4 DG HSM Art	Φ77mm×94mm 665g	√	√	
		Sony A7M2 126.9×95.7×59.7mm 556g	FE 55mm F1.8	Φ64mm×71mm 281g	√	√	
			FE 50mm F2.8 MACRO	Φ71mm×71mm 236g	√	√	
	FE 4/24-105 G OSS		Φ83.4mm×113.3 mm 663g	√	√		
	FE 28-70mm f/3.5-5.6 OSS		Φ72.5mm×83mm 295g	√	√		
	FE 85mm F1.4 GM		Φ89.5mm×107.5mm 820g	√	√		
	Sony A6400 120×67×60mm 359g		E 10–18mm F4 OSS	Φ70mm×63.5mm 225g	√	√	
			FE 12-24mm F4 G	Φ87mm×117mm 565g	√	√	
			FE 16-35mm F2.8 GM	Φ89mm×122mm 680g	√	√	
			FE16-35mm f/4 ZA OSS	Φ78mm×99mm 518g	√	√	
			Vario-Tessar FE 24-70mm F4 ZA OSS	Φ73mm×94.5mm 426g	√	√	
		FE 24-70 F2.8 GM	Φ87.6mm×136mm 886g	×	×		
		Zeiss E 16-70 F4 OSS	Φ66.6mm×75mm 308g	√	√		
		E PZ 18–105mm F4 G OSS	Φ78mm×110mm 427g	√	√		
		E PZ 18–200mm F3.5–6.3 OSS LE	Φ93.2mm×99mm 649g	×	×		
		Sony A6300 120×66.9×48.8mm 361g	FE 28mm F2	Φ64mm×60mm 200g	√	√	
			Zeiss FE 35mm F2.8 ZA	Φ61.5mm×36.5mm 120g	√	√	
			Sigma 30mm f/1.4 DC DN	Φ64.8mm×73.3mm 265g	√	√	
			Sigma 35mm f1.4 DG HSM Art	Φ77mm×94mm 665g	√	√	
			FE 55mm F1.8	Φ64mm×71mm 281g	√	√	
			FE 50mm F2.8 MACRO	Φ71mm×71mm 236g	√	√	
	FE 4/24-105 G OSS		Φ83.4mm×113.3 mm 663g	√	√		
	E 3.5-5.6/PZ 16-50 OSS		Φ64.7mm×29.9mm 116g	√	×		
	FE 28-70mm f/3.5-5.6 OSS		Φ72.5mm×83mm 295g	√	√		
	FE 85mm F1.4 GM		Φ89.5mm×107.5mm 820g	√	√		
	Sony RX100 IV 101.6×58.1×41.0 mm 298g	/	/	/	√	×	
		Sony RX100 V 101.6×58.1×41mm 299g	/	/	√	×	
		Sony RX100 VI 101.6×58.1×42.8mm 301g	/	/	√	×	
		Sony RX100 VII 101.6×58×42.8mm 370g	/	/	√	×	

AK2000S Lens Compatible List						
Brand		Can be equipped with a lens				
Brand	Camera(H/W/D)	Model	Lens size & weight (Φ×L)	Camera	Brushless follow focus + Camera	Remark
Panasonic	GH5S 138.5×98.1×87.4mm 660g GH5 138.5×98.1×87.4mm 725g G9 136.9×97.3×91.6mm 658g GH4 93.4×83.9×132.9mm 560g	LEICA DG SUMMILUX 15mm f/1.7 ASPH	115g	√	×	
		LEICA DG SUMMILUX 25mm f/1.4 ASPH	Φ77.7mm×75mm 510g	√	√	
		LEICA DG MACRO 45mm f/2.8 OIS	Φ63mm×62.5mm 225g	√	√	
		LEICA DG Vario-Elmarit 8-18mm f/2.8-4.0 ASPH	Φ73.4mm×88mm 315g	√	√	
		LEICA DG Vario-Elmarit 12-60 f/2.8-4 Power OIS	Φ68mm×86mm 320g	√	√	
		LUMIX G X Vario 12-35mm f/2.8 II ASPH POWER OIS(H-HS12035GK (f.t))	Φ68mm×74mm 305g	√	√	
		M.ZUIKO DIGITAL ED 12mm f/2.0	Φ56mm×43mm 130g	√	√	
		LUMIX G 14-140mm f/4-5.8 OIS	Φ70mm×84mm 460g	√	√	
Nikon	Z6 134×100.5×67.5mm 675g Z7 134×100.5×67.5mm 675g	NIKKOR Z 35mm f/1.8	370g	√	√	
		18-140mm f/3.5-5.6G ED VR	Φ78mm×97mm 490g	√	√	
		NIKKOR Z 50mm f/1.8 S	415g	√	√	
		NIKKOR Z 24-70mm f/4 S	500g	√	√	
		NIKKOR Z 14-30mm f/4 S	Φ85mm×89mm 485g	√	√	
Canon	Canon EOS R 135.8×98.3×84.4mm 660g Canon EOS RP 132.5×85×70mm 485g	RF 35mm F1.8 MACRO IS STM	Φ74.4mm×62.8mm 305g	√	√	
		EF-S 18-200mm f/3.5-5.6 IS	Φ78.6mm×102mm 595g	√	×	
		EF 24-70mm f/4L IS USM	Φ83.4mm×93mm 600g	√	×	
		EF 50mm f/1.4 DG HSM Art	Φ85mm×100mm 815g	√	√	
		EF 17-40mm f/4L USM	Φ83.5mm×96.8mm 475g	√	√	
		RF 50mm F1.2L USM	Φ89.8mm×108mm 950g	√	√	
		RF 28-70mm F2L USM	Φ103.8mm×139.8mm 1430g	×	×	
		RF 24-105mm F4L IS USM	Φ83.5mm×107.3mm 670g	√	×	
Canon M50 116.3×88.1×58.7mm 390g	EF-M 15-45mm F3.5-6.3 IS	130g	√	×		
Fujifilm	X-T2 133×92×49mm 457g X-T3 132.5×92.8×58.8mm 539g	XF 16mm 1:1.4 R WR	Φ73mm×73mm 375g	√	√	
		XF 23mm 1:1.4 R	Φ72mm×63mm 300g	√	√	
		XF 35mm 1:1.4	Φ65mm×54.9mm 187g	√	√	
		XF 10-24mm f/4.0 R OIS	Φ78mm×87mm 410g	√	√	
		XF 16-55mm 1: 2.8 R LM WR	Φ83.3mm x 106.0mm 655g	√	√	
		XF 18-55mm 1:2.8-4 R OIS	Φ65mm×70.4mm 310g	√	√	
		XF 18-135mm f/3.5-5.6 R LM OIS WR	Φ76mm×98mm 490g	√	√	
		XF 16mm 1:1.4 R WR	Φ73mm×73mm 375g	√	√	
	X-H1 139.8×97.3×85.5mm 673g	XF 23mm 1:1.4 R	Φ72mm×63mm 300g	√	√	
		XF 35mm 1:1.4	Φ65mm×54.9mm 187g	√	√	
		XF 10-24mm f/4.0 R OIS	Φ78mm×87mm 410g	√	√	
		XF 16-55mm 1: 2.8 R LM WR	Φ83.3mm x 106.0mm 655g	√	√	
		XF 18-55mm 1:2.8-4 R OIS	Φ65mm×70.4mm 310g	√	√	
		XF 18-135mm f/3.5-5.6 R LM OIS WR	Φ76mm×98mm 490g	√	√	
		XF 16mm 1:1.4 R WR	Φ73mm×73mm 375g	√	√	
		XF 23mm 1:1.4 R	Φ72mm×63mm 300g	√	√	
	X-T20 118.4×82.8×41.4mm 383g X-T30 118.4×82.8×46.8mm 383g	XF 35mm 1:1.4	Φ65mm×54.9mm 187g	√	√	
		XF 10-24mm f/4.0 R OIS	Φ78mm×87mm 410g	√	√	
		XC 16-50mm f/3.5-5.6 OIS	Φ62.6mm×65.2mm 195g	√	√	
		XF 16-55mm 1: 2.8 R LM WR	Φ83.3mm x 106.0mm 655g	√	×	
		XF 18-55mm 1:2.8-4 R OIS	Φ65mm×70.4mm 310g	√	√	
		XF 18-135mm f/3.5-5.6 R LM OIS WR	Φ76mm×98mm 490g	√	×	
		XC 15-45mm 1:3.5-5.6 OIS PZ	Φ62.6mm×65.2mm 135g	√	√	

Tips: The camera needs to be close to the tilt motor.

Disclaimer

Thanks for using Feiyu Gimbal. The information in this document affects your safety and your legal rights and responsibilities. Read the entire document carefully to ensure proper configuration before use, Failure to read and follow instructions and warnings in this document may result in serious injury to yourself or others, or damage to your products or damage to other objects in the vicinity.

Thanks for using Feiyu Gimbal. The information in this document affects your safety and your legal rights and responsibilities. Read the entire document carefully to ensure proper configuration before use, Failure to read and follow instructions and warnings in this document may result in serious injury to yourself or others, or damage to your products or damage to other objects in the vicinity.

FeiyuTech will not provide any service for any product obtained from abnormal channels.

Notice

1. Make sure motor spinning is not blocked by external force when gimbal is power on.
2. DO NOT contact the gimbal with water or other liquid if the gimbal is not mark waterproof or splash-proof. Waterproof and splash-proof product DO NOT contact sea water or other corrosive liquid.
3. DO NOT disassemble the gimbal except marked detachable. It need send to FeiyuTech after-sales or authorized service center to fix it if you accidentally disassemble it and cause abnormal work. The relevant costs are borne by user.
4. Prolonged continuous operation may cause the motor surface temperature to rise, please operate carefully.
5. DO NOT drop or strike the gimbal. If the battery is abnormal, contact Feiyu After-sales support.

Storage and Maintenance

1. Keep the gimbal out of the reach of children and pets.
2. DO NOT leave the gimbal near heat sources such as a furnace or heater. DO NOT leave the gimbal inside of a vehicle on hot days.
3. Please storage the gimbal in dry environment.
4. DO NOT overcharge or overuse the battery, otherwise it will cause damage to the battery core. If does not use the gimbal for a long time, please charge it at least once within one month.

5. Never use the gimbal when the temperature is too high or too low.

Official Social Media



Website



Facebook



Youtube



Twitter



Instagram

Facebook: www.facebook.com/feiyutech

YouTube Channel: www.youtube.com/c/Feiyu-tech

Twitter: www.twitter.com/feiyutech

Instagram: www.instagram.com/FeiyuTech

YouTube Channel: www.youtube.com/c/Feiyu-tech

Online Store: store.feiyu-tech.com



Guilin Feiyu Technology Incorporated Company

For more information, please visit our official website www.feiyu-tech.com

E-mail: service@feiyu-tech.com Tel: +86 773 2320865

Due to software and hardware improvements, your actual product might differ from the descriptions and pictures in this user manual. You can get the latest user manual from the official website.