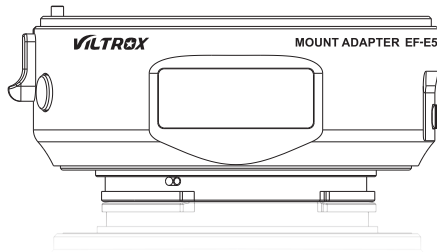


VILTROX® 唯卓仕

EF-E5 转接环

自动对焦 支持索尼全画幅相机

使用說明書



感谢您选用唯卓仕转接环！

* 在把唯卓仕转接环安装到您的相机上时，请仔细阅读本说明书，以便能够了解和使用转接环的全部功能。



深圳市爵影科技有限公司 www.viltrox.com
深圳市 龍華新區 大浪街道 下嶺排村 寶坤科技工業園4棟2樓

產品功能

唯卓仕鏡頭轉接環 EF-E5 的設計可將EF系列鏡頭與 NEX-E 卡口系列兼容的可換鏡頭數碼相機搭配使用，自動對焦，支持原生和相位對焦模式開關，兼容索尼全畫幅A7系列相機，可通過USB接口進行固件升級。

產品功能：

1. OLED顯示，可顯示焦距、光圈、轉接環模式以及調試模式；
2. 可直接切換轉接環模式；
3. 支持雙模式：原生模式(N)、相位模式(P)；
4. 對焦調試模塊，用戶可通過兩個按鍵‘+’‘-’對未適配的鏡頭（對焦慢或者拉風箱）進行手動適配。

對焦參數調節：

1. 長按‘+’兩秒進入調試模式，屏幕顯示‘SET’和對焦參數（調節範圍0~254）。調節時需配合對焦看調節效果，如果拉風箱，則調小；對焦慢調大。
2. 在保證不拉風箱的情況下，盡量調大此參數。15秒不調節或者關掉相機會保存數據並退出設置模式。
3. 長按‘-’兩秒關閉/開啓屏幕顯示。

部件名稱

EF鏡頭安裝標記
EF-S鏡頭安裝標記

USB升級接口

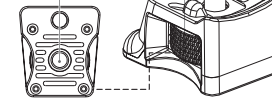
鏡頭釋放桿

觸點(鏡頭端)

三腳架座螺絲

三腳架座旋鈕

三腳架槽

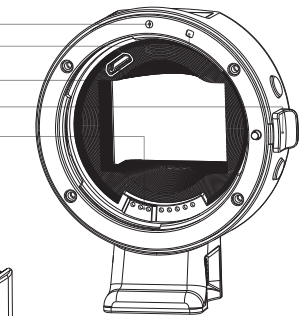
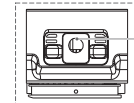


相機安裝標記

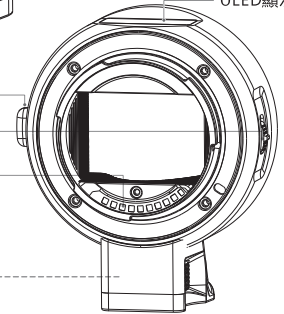
對焦模式開關 (N和P)

觸點(相機端)

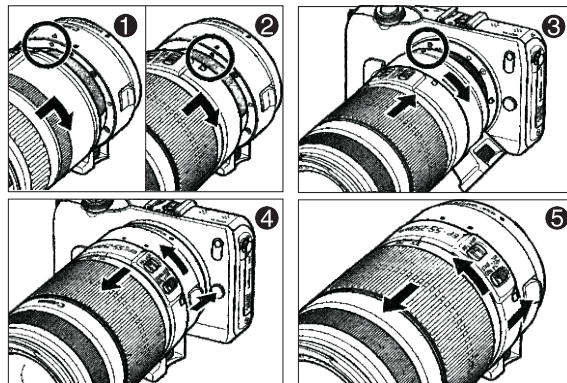
三腳架座槽



OLED顯示



安裝轉接環



安裝產品

1. 將EF鏡頭安裝到EF轉接環上的安裝槽
將EF鏡頭上的安裝標記(紅色圓圈)對準轉接環上的相同標記，然後，以順時針方向轉動EF鏡頭直到聽到喀一聲為止(1)，將EF-S鏡頭安裝到轉接環時，請對準EF-S安裝標記(白色方塊)將鏡頭插入轉接環，然後以順時針方向轉動(2)。
2. 將轉接環安裝到相機
將轉接環上的安裝標記(白色圓圈)對準相機上的相同標記，將轉接環裝入相機，然後以逆時針方向轉動轉接環，聽到喀一聲為止(3)。

卸載產品

1. 關閉相機電源，然後將仍安裝著EF鏡頭的轉接環從相機取下
按住相機的鏡頭釋放按鈕，同時以逆時針方向轉動轉接環(4)。在轉接環停止轉動時將其取下。
2. 將EF鏡頭從轉接環取下
按下轉接環上的鏡頭釋放桿，同時以逆時針方向轉動EF鏡頭(5)，在EF鏡頭停止轉動時將其取下。

安裝三腳架

1. 將隨附的三腳架座安裝到轉接環，並將三腳架座旋鈕旋緊。
請確定三腳架座與轉接環均朝向正確的方向。
2. 使用三腳架座槽安裝三腳架，緊握住轉接環以穩固地安裝三腳架。
3. 搭配三腳架使用轉接環時的注意事項
當使用三腳架進行拍攝時，如果您已安裝轉接環，請勿使用相機的三腳架安裝槽，請務必使用轉接環隨附的三腳架座。

⚠ 在使用三腳架時，如果您的EF鏡頭(例如超長焦鏡頭)配備三腳架座，請務必使用此底座將鏡頭安裝到三腳架。

固件升級安裝：

1. 使用USB線將接環連接到電腦
2. 新硬盤 "Adapter EF" 會在電腦中出現
3. 從www.viltrox.com下載最新固件
4. 將文件解壓，並把*.vtx文件複製到"Adapter EF"內
5. 將接環從電腦分離，固件更新完成

注意事項

1. 安裝卡口轉接環至鏡頭，將設置從MF模式轉換到AF模式后，如果不能自動對焦，請重啓相機。
2. 將此轉接環連接至鏡頭並不會影響鏡頭的性能。
3. 請使用鏡頭上的開關來設置鏡頭功能，如果相機菜單中的設置與鏡頭上的設置不同，則應以鏡頭上的設置為準。
4. 當您使用的鏡頭比相機還要重時，在移動相機及進行拍攝時請務必握住鏡頭。
由于鏡頭的最小對焦距離在連接此轉接環時將會增加，因此最大放大倍率和視野範圍可能會改變。

產品規格

兼容鏡頭	佳能EF/EF-S系列鏡頭
兼容相機	索尼E卡口系列相機
對焦模式	自動對焦
三腳架槽	CU 1/4" × 1 (可拆)
固件升級	USB升級接口
外觀尺寸	83 × 72 × 36.5MM
重量	約158克(不含蓋子)
前蓋	相機蓋
后蓋	鏡頭防塵蓋

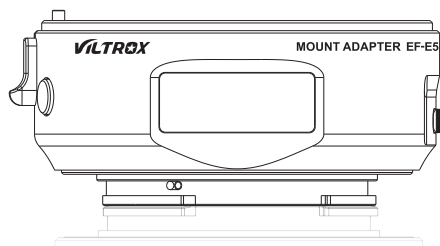
尺寸：246 mm x 220 mm (82mm×110mm)



EF-E5 MOUNT ADAPTER

Auto focus Support Sony full frame cameras

User manual



Thank you for choosing Viltrox mount adapter !

* Before setting the Viltrox mount adapter on your camera, please read this manual carefully for your proper or better use of the adapter.

Shenzhen Jueying Technology Co.,Ltd. www.viltrox.com
2/F,Blk 4, Baokun Science and Technology Industrial Park, Xialingpai,
Dalang Str.,Longhua,Shenzhen,China

Function

Viltrox EF-E5 lens adapter is designed for Canon EF lenses to Sony E mount series mirrorless cameras. Auto Focus and with N/P switch. It is compatible with Sony A7 series full frame cameras. It can be upgraded by USB port.

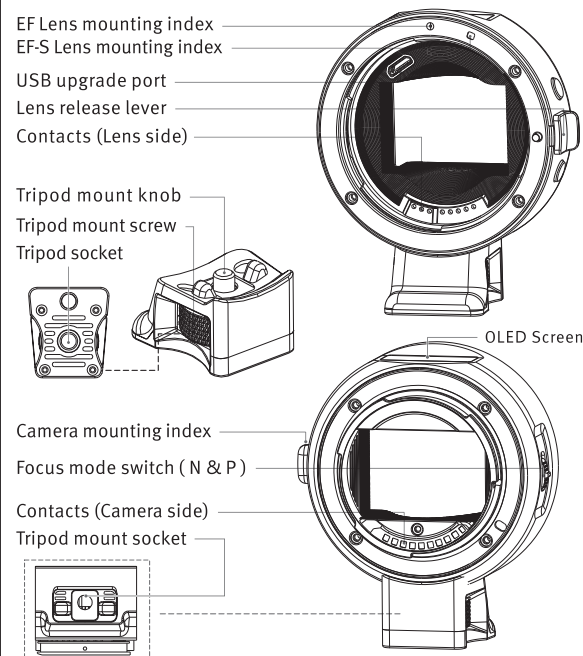
Product Features:

1. OLED screen which can show focal length, aperture, adapter mode and debug mode.
2. Can switch lens adapter mode.
3. Support two mode: Native mode(N) and Phase mode(P).
4. Focus debugging module, users can use '+' '-' to manual adjustment for incompatible lenses(slow focus or repeat focus back and forth).

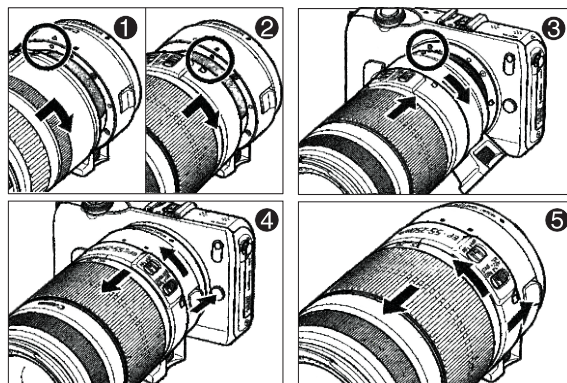
Focus parameter adjustment:

1. Long press '+' for two seconds to enter debug mode. The screen displays 'SET' and focus parameters. (Adjustment range 0~254). Adjust with focus to check the adjustment effect.If repeat focus back and forth, then turn down; if focus is slow then turn up.
2. Increase the parameter as much as possible while ensuring not repeat focus back and forth. Not adjusting or turning off the camera for 15 seconds will save the data and exit setup mode.
3. Long press '-' for two seconds to turn off/on the screen display.

Name of each part



Mounting and Detaching the Adapter



Mounting procedures

1. **Attach the EF lens to the EF mounting groove of the adapter.**
Insert the lens into the adapter by aligning the mounting index on the EF lens (red dot) with the same mark on the adapter, and turn the EF lens clockwise until you hear a click. (fig. ①)
When attaching an EF-S lens, align the mounting index marks (white squares) and turn the lens clockwise. (fig. ②)
2. **Mount the adapter to the camera.**
Insert the adapter into the camera by aligning the Sony E-mount lens mounting index on the adapter (white dot) with the same mark on the camera, and turn the adapter counter-clockwise until you hear a click. (fig. ③)

Detaching procedures

1. **Turn the camera OFF, and detach the adapter from the camera while the EF lens is still attached to it.**
Turn the adapter counter-clockwise to the end while pushing the camera lens release button. (fig. ④) then detach the adapter from camera.
2. **Detach the EF lens from the adapter.**
Turn the EF lens counter-clockwise to the end while pushing the lens release lever on the adapter (fig. ⑤), then detach the lens from the adapter.

Mounting onto the Tripod

1. Mount the attached tripod mount to the adapter by firmly tightening the tripod mount knob.
Please make sure that the tripod mount and the adapter are mounted to the right directions.
2. When using the tripod mount to set the adapter on a tripod, firmly hold the adapter so as to set it securely onto the tripod.
3. Precautions when using this adapter with a tripod.
When shooting with a tripod, use the attached tripod mount of the adapter instead of the camera's.

⚠ When using a tripod with EF lenses that are equipped with a tripod mount, such as super telephoto lenses, please be sure to use it to mount the lens to the tripod.

Attention: Do not attach camera or lens when update adapter firmware.

Update procedure:

1. Connect adapter to computer with USB cable.
2. A new drive "Adapter EF" will appear in your computer.
3. Download latest firmware from www.viltrox.com.
4. Unzip and copy the *.vtx file to "Adapter EF".
5. Disconnect the adapter from computer and firmware update complete.

Attentions

1. After mounting the adapter on the lens and setting the MF mode to AF mode, if autofocus still doesn't work, please restart the camera.
2. The lens performance won't be affected with the adapter mounted.
3. Please use the switch on the lens to set the lens function.
If the settings in camera menu differ from those on the lens, settings on the lens shall prevail.
4. When the lens you use is much heavier than the camera, be sure to hold the lens when moving the camera or shooting.
Since the minimum focusing distance will increase with the adapter mounted, the maximum magnification and field of view may change.

Specifications

Compatible lenses	Canon EF / EF-S series lenses
Compatible cameras	Sony E-mount series cameras
Focus mode	Auto focus
Tripod Socket	Cu1/4"× 1
Firmware upgrade	USB upgrade port
Diameter and Length	83 × 72 × 36.5 MM
Weight	Approx. 158 g
Front cap	Camera cover
Rear cap	Lens dust cap

尺寸 : 246 mm x 220 mm (82mm×110mm)